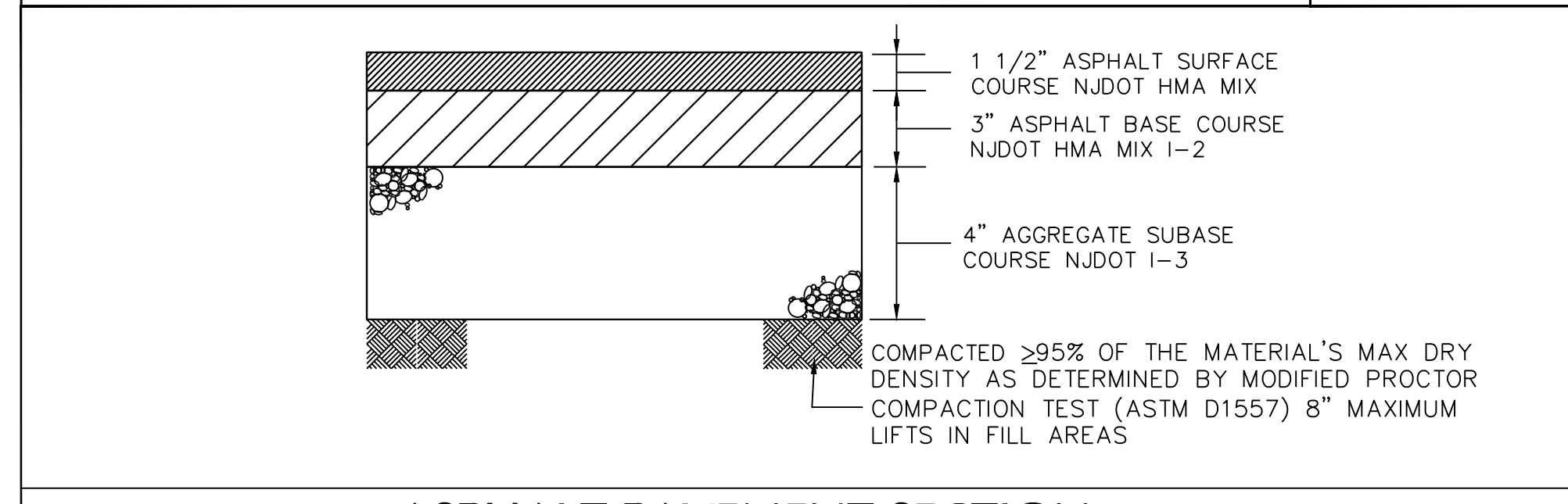


PROPOSED PAVEMENT TIE-IN

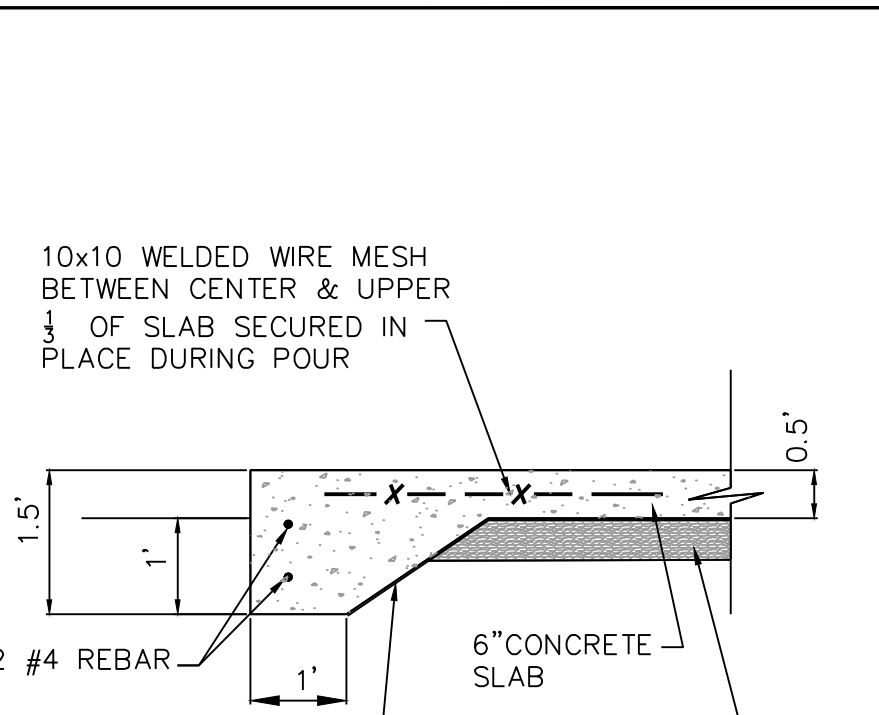
STOP SIGN

PAVEMENT MARKINGS

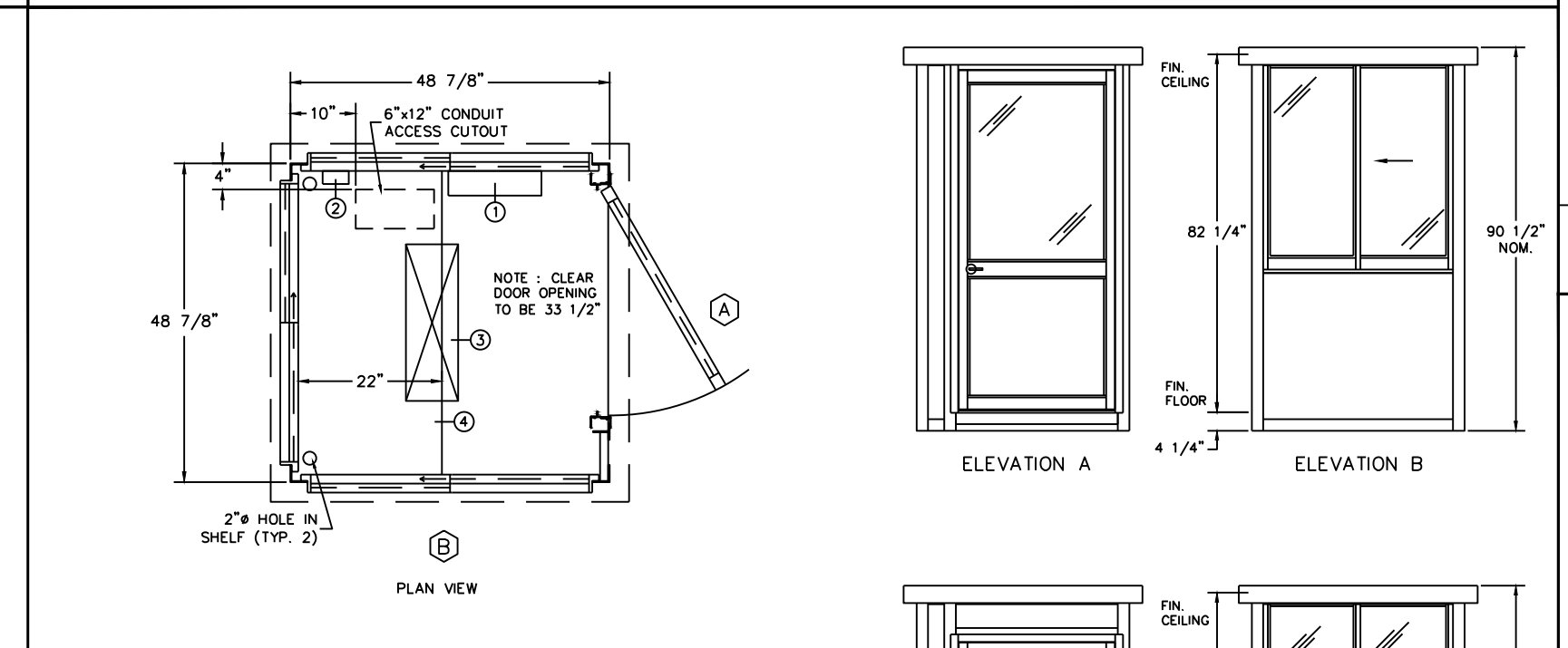
STEEL PIPE BOLLARD



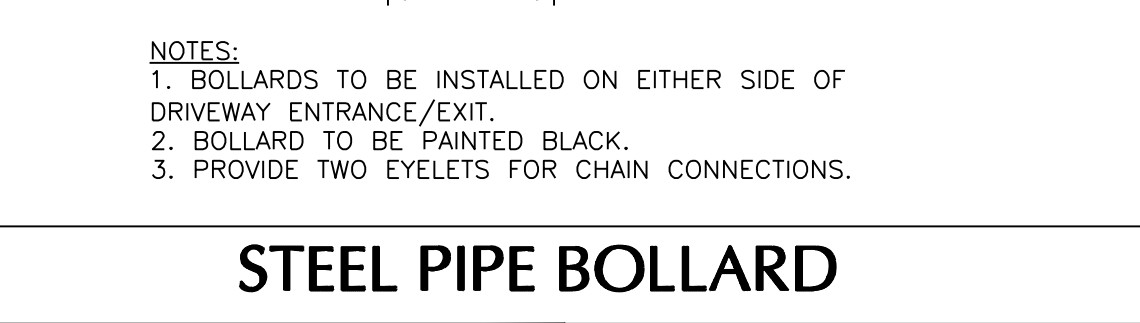
ASPHALT PAVEMENT SECTION



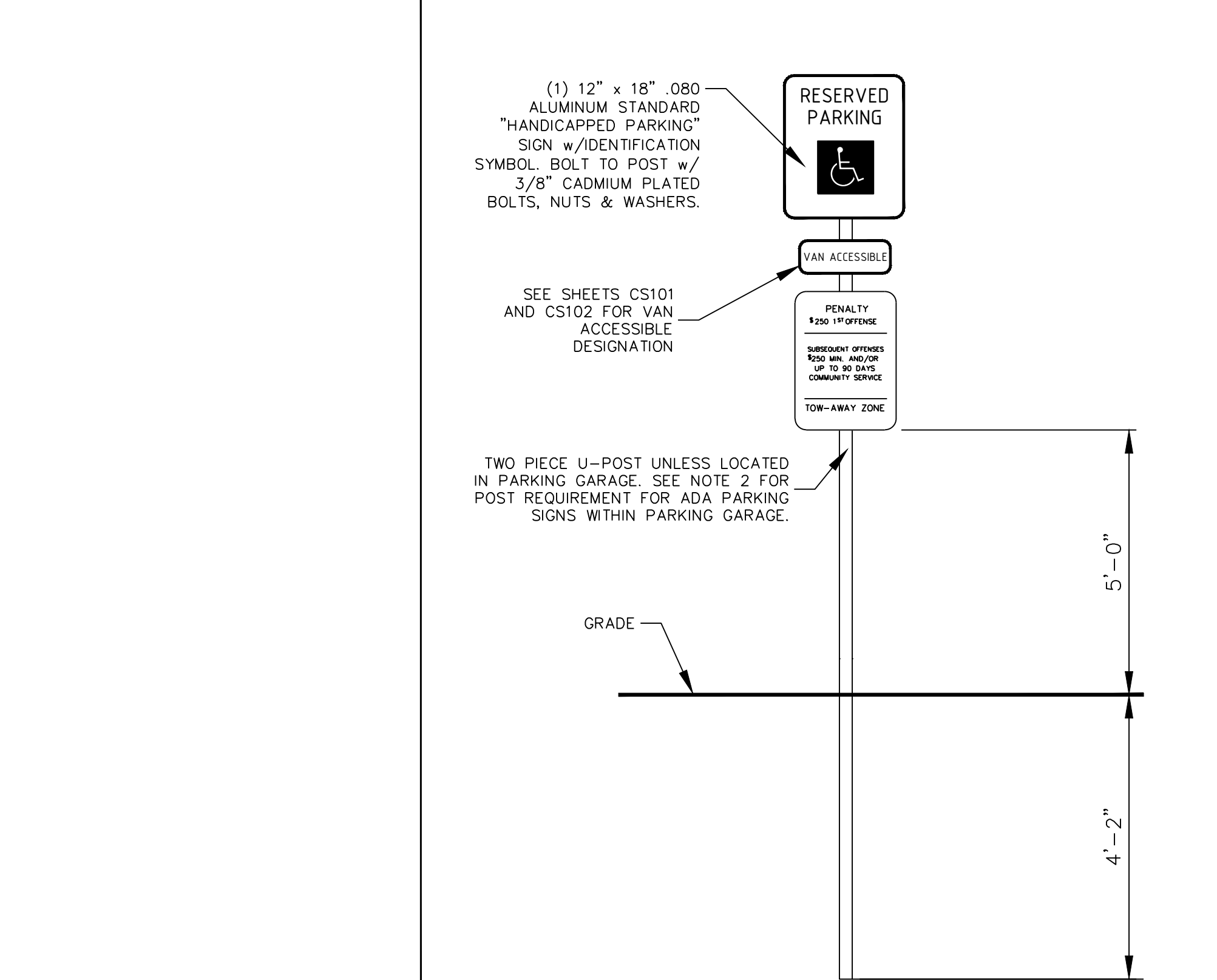
BOOTH SLAB DETAIL



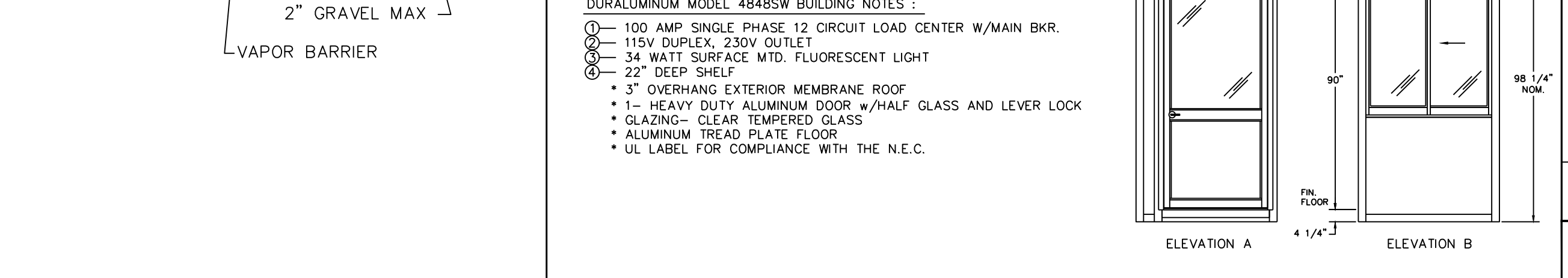
ATTENDANT BOOTH



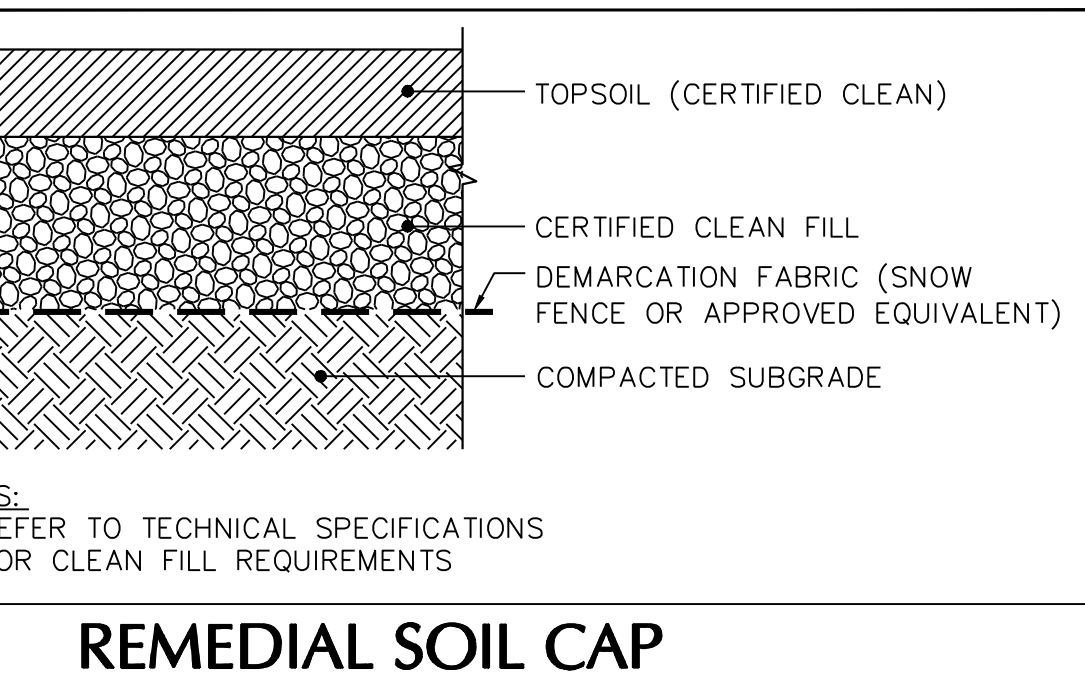
STEEL PIPE BOLLARD



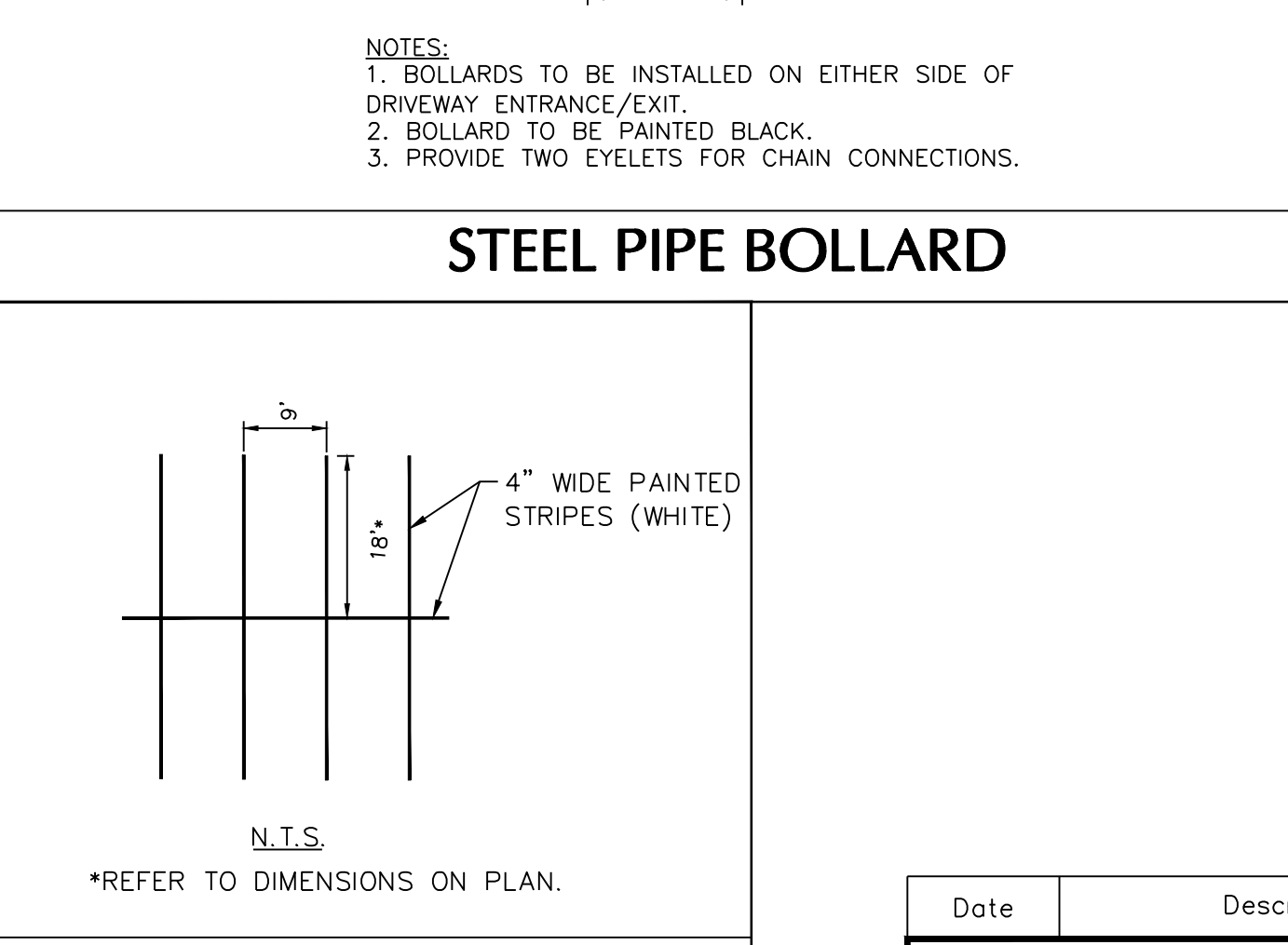
ADA PARKING SIGN



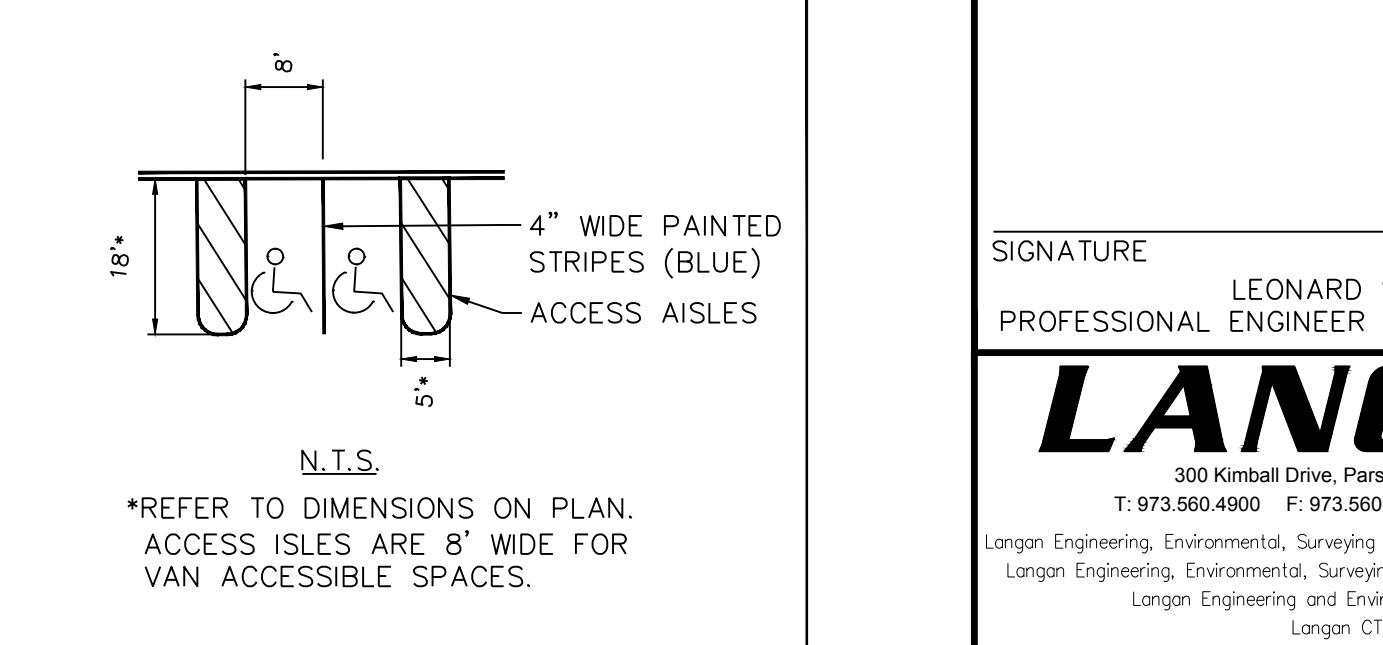
PRECAST CONCRETE STEEL STOP DETAILS



REMEDIAL SOIL CAP



PARKING STRIPING



ADA PARKING STRIPING

Date	Description	No.
REVISIONS		
SIGNATURE: LEONARD SAVINO		DATE SIGNED:
PROFESSIONAL ENGINEER NJ Lic. No. GE-39238		
LANGAN		
300 Kimball Drive, Parsippany, NJ 07054		
T: 973.560.4900 F: 973.560.4901 www.langan.com		
Langan Engineering, Environmental, Surveying and Landscape Architecture, D.P.C. SA		
Langan Engineering, Environmental, Surveying and Landscape Architecture, D.P.C.		
Langan Engineering and Environmental Services, Inc.		
Langan CT, Inc.		
Langan International LLC		
Collectively known as Langan		
NJ CERTIFICATE OF AUTHORIZATION No. 24GA27996400		

Application
COURTESY REVIEW - PRELIMINARY AND FINAL SITE PLAN APPLICATION

Project
NJEDA PARKING LOTS AQUARIUM SITE
 BLOCK No. 81.01 LOTS No. 1 & 2
 BLOCK No. 81.04 LOTS No. 1.01
 TAX MAP 1.14
 CITY OF CAMDEN, CAMDEN COUNTY, NJ 08103

Drawing Title	
DETAILS I	
Project No.	Drawing No.
100595901	CS501
Date	24FEB2017
Scale	NTS
Drawn By	Checked By
JT	LS
Submission Date	XXXX/XXXX